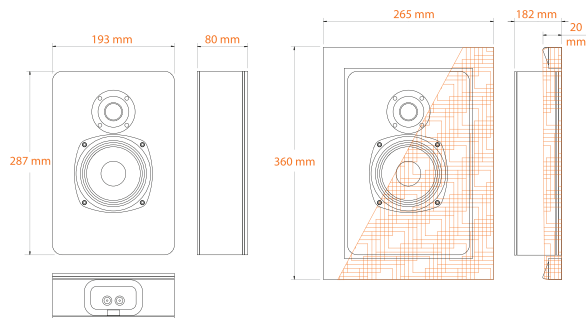


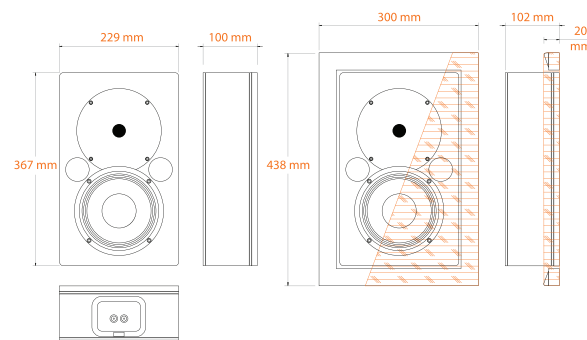
Loudspeakers

Vertex



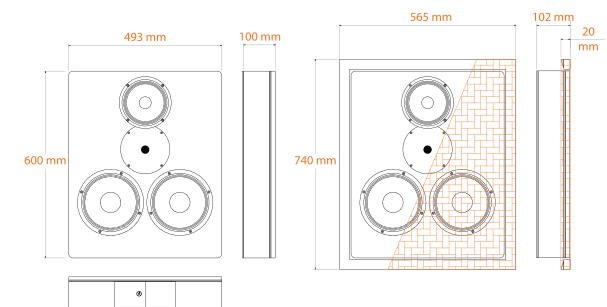
Vertex 1

Bass-Mid unit: 1 x 5" cone drive unit
HF unit: High sensitivity 1" dome tweeter
Crossover: Passive series crossover
Frequency response: 100 Hz-22 kHz
Impedance: 8 Ω
Sensitivity: 90 dB/1W/1m
Power handling: 100 W
Max. SPL @ 1m: 110 dB, 105 dB available @ 2m
Connector: Pair of binding posts
Dimensions: 287 x 193 x 80 mm
Weight: 3 kg
Option 1: Custom Printed Grille
Option 2: In-ceiling/In-wall kit



Vertex 2

Bass-Mid unit: 1 x 6.5" cone drive unit
HF unit: 1x1" compr. drive unit + waveguide
Crossover: Passive series crossover
Frequency response: 100 Hz-22 kHz
Impedance: 8 Ω
Sensitivity: 92 dB/1W/1m
Power handling: 250 W
Max. SPL @ 1m: 115 dB, 105 dB available @ 3m
Connector: Pair of binding posts
Dimensions: 367 x 229 x 100 mm
Weight: 7.5 kg
Option 1: Custom Printed Grille
Option 2: In-ceiling/In-wall kit



Vertex 3

Bass units: 2 x 8" cone drive units
Midrange unit: 1x6.5" High sens. cone drive unit
HF unit: 1x1" compr. drive unit + waveguide
Crossover: Active crossover: 500 Hz, Bessel 4th order
Mid-High crossover: Passive Series crossover
Frequency response: 100 Hz-22 kHz
Impedance: 4 Ω bass. 8 Ω mid-high
Sensitivity: 96 dB/1W/1m
Power handling: 500 W
Max. SPL @ 1m: 122 dB, 105 dB available @ 7m
Connector: Speakon 4
Dimensions: 600 x 493 x 100 mm
Weight: 25.5 kg
Option 1: Custom Printed Grille