
AGATH

T2 **22S**

1080p

IP65

Technical Datasheet

In wall TV for Sauna



- TV supporting extreme temperatures (up to 100°C front)
 - Can be built into walls and partitions
 - Waterproof remote control
 - Optimal image quality
 - Cage fireproof
 - Latest generation flat screen
 - Unique design not allowing any relief feature to appear
 - Use of top-of-the-range materials (glass, aluminium)
 - Pair of speakers - moisture resistant
-

List of Standard Models

CONTENTS

Television set	1
Steel frame for in-wall installation	1
Waterproof remote control	1
Setup remote control (ME3463)	1
2 water resistant in-wall speakers	1
5 meters audio cable	1
Composite audio/video jack cable (with ME3463)	1
YUV jack cable)	1
12V adaptor cable with 4 metre cable	

INCLUDED FUNCTIONS

RS232 control / IP control (option)

- Control of the main television's functions
- Volume control by direct value
- Backlight control (on or off)
- Blocking function of the remote control
- Reading of the functions status of the TV

Infra-Red relay 38 KHz

- Control of devices deported through the TV
- Can be connected to a flasher at the rear of the TV

Distinct ON/OFF signals (IR)

- 2 distinct signals to switch on and switch off the TV
- Presence on the remote control of 2 buttons for the 2 signals

DISPLAY

Screen size	21.5" (55 cm)
Display area (H/V) (mm)	477 x 268
Aspect ratio	16:9
Resolution (pixels)	1920 x 1080

SPECIFICATIONS

Glass width (mm)	600
Glass height (mm)	390
Total depth (mm)	84
Weight with back box	13kg
Power supply	DC 12V

PACKING

Parcel	1
Length (mm)	800
Width (mm)	400
Height (mm)	620
Weight	15kg

GLASS FINISHES Glasses available



Bluish Mirror



Contrast



Premium mirror
Agath exclusivity



Bronze tinted mirror



Mirror Super Clear

Ports and connections : AGATH Media Modules

ME **3463**

THE COMPLETE SOLUTION

The ME3463 Media Module offers a multitude of ports and connections allowing you to connect easily your regular devices.

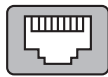
➔ See full description on the ME3463 datasheet



DVB-T/T2
DVB-C
DVB-S2



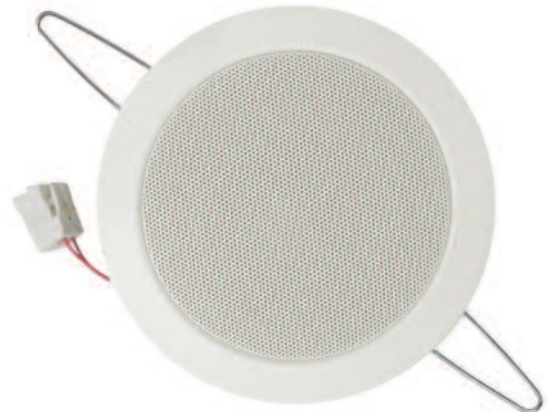
2 HDMI



RS232
CONTROL



IP TV
COMPATIBLE



SPEAKER

Ceiling-mounted speaker with white metal covert (RAL 9010)

A compact solution treated against moisture for home and professional use with good sound quality.



DC 12V POWER SUPPLY:

Length (mm)	105
Width (mm)	40
Height (mm)	30

Installation Instructions

Flush TV installation (face front of glass flush with wall) is required.

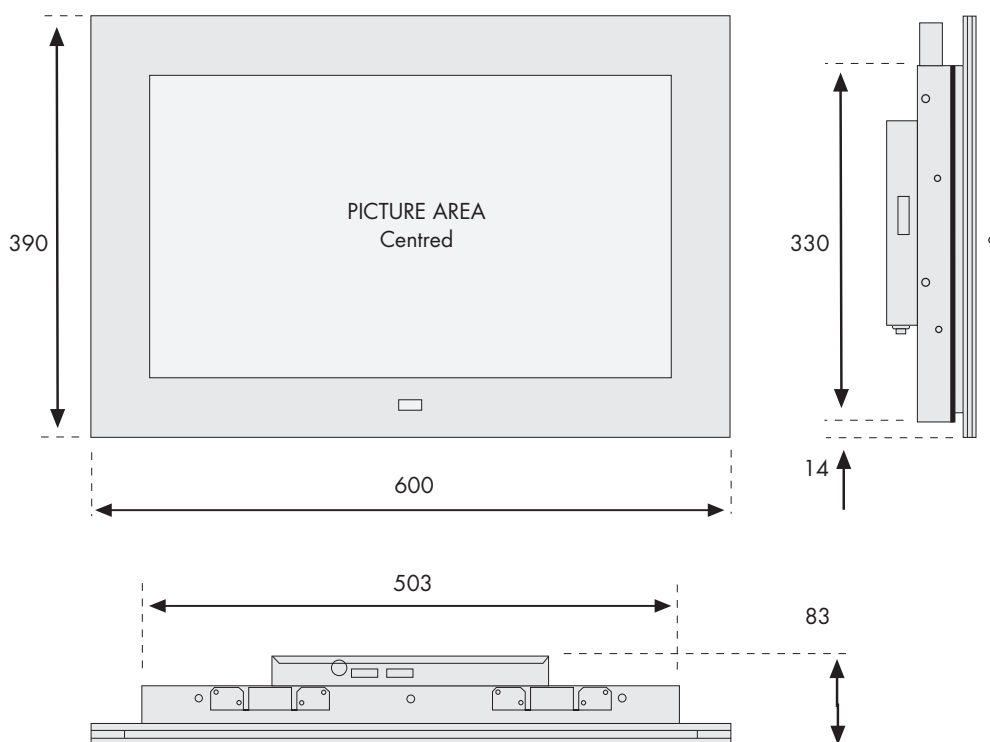
To install a television screen, you must first position the back box on the wall and mount it with the assembly kit provided.

The back box can be mounted with 2 solutions:

- using the lugs positioned of both sides on the box
- using the four holes at the bottom of the box

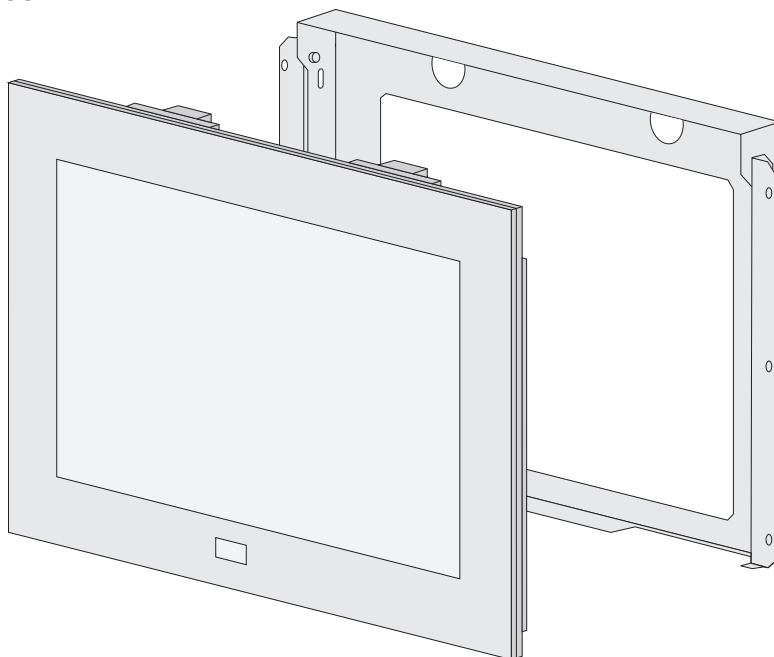
Once the wall back box is correctly installed, the whole screen sits on the box and is held in place by a magnetic system.

To obtain an IP65 protection rating for the front side, apply a silicon seal around the screen, thus ensuring the wall is also correctly protected.

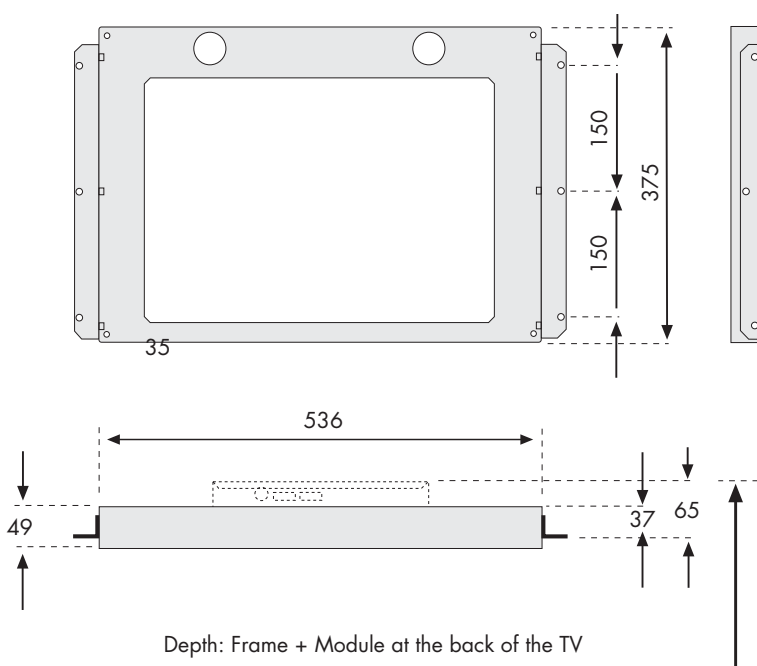


Installation Instructions

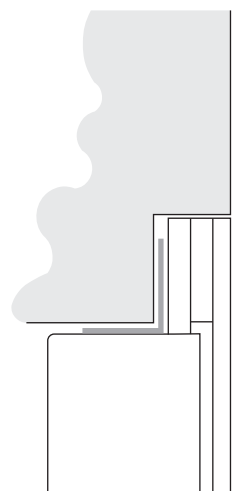
SCREEN



BACK BOX



Installation Instructions



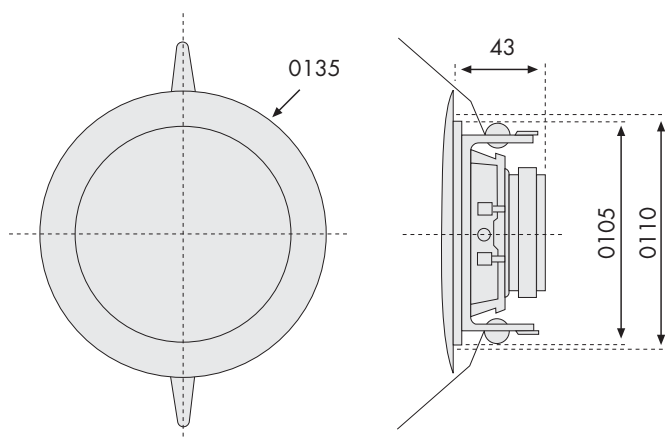
Top View

FLUSH INSTALLATION ONLY

The wall cut-out must enable the glass panel to pass in front of it.

Wall section to cut out :

Width (mm)	602
Height (mm)	392
Depth (mm): 6mm glass	85
9mm Premium glass	87



LOUD SPEAKER INSTALLATION

In this configuration, the glass panel will cover the wall cut-out.

Wall section to cut out :

Hole diameter (mm)	110
Minimum depth (mm)	45