
AGATH

T2 **18** 1080p
IP65

Technical Datasheet

In-wall TV - suitable for bathroom

B&W sound option*



Fanless. Very simple installation process.
Suitable for on wall installation.

300 cd/m2 to 1500 cd/m2
Frequency 60Hz
High Quality 24/7
Power 15w

April 2018

List of Standard Models

CONTENTS

Television set	1
Steel frame for in-wall installation	1
Waterproof remote control (LT30)	1
2 water resistant in-wall speakers	1
5 meters audio cable	1
Composite audio/video jack cable	1
YUV jack cable	1
12V adaptor with 4 meters cable	1

INCLUDED FUNCTIONS

RS232 control / IP control (option)

- Control of the main television's functions
- Volume control by direct value
- Backlight control (on or off)
- Blocking function of the remote control
- Reading of the functions status of the TV

Infra-Red relay 38 KHz

- Control of devices deported through the TV
- Can be connected to a flasher at the rear of the TV

Distinct ON/OFF signals (IR)

- 2 distinct signals to switch on and switch off the TV
(Hidden command on LM27)

DISPLAY

Screen size	18,5" (40 cm)
Display area (H/V) (mm)	406 x 227
Aspect ratio	16:9
Resolution (pixels)	1366 x 768

SPECIFICATIONS

Glass width (mm)	530
Glass height (mm)	350
Total depth (mm)	56.2
Weight with back box	8 kg
Power supply	DC 12V

PACKING

Parcel	1
Length (mm)	800
Width (mm)	400
Height (mm)	620
Weight	15 kg

Ports and connections : AGATH Electronic Modules

ME 3463

THE COMPLETE SOLUTION

RESIDENTIAL, HOSPITALITY, YACHTS, P.O.S, Etc

Hotel mode, USB player and inside recorder, two tuners, CI+, CEC. The ME3463 Media Module offers a multitude of ports and connections allowing you to connect easily to your regular devices.

➔ See full description on the ME3463 datasheet



DVB-T/T2
DVB-C
DVB-S2



2 HDMI



RS232
CONTROL



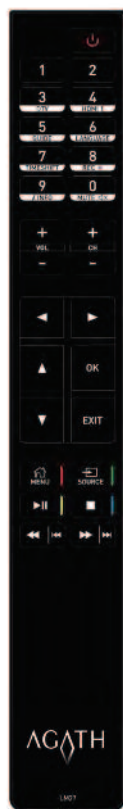
IP TV
COMPATIBLE

RESOLUTION

480 P (60Hz)
720 P (60Hz)
1080 I (60Hz)
1080 P (24/60Hz)



LT30



*Option
LM27



SPEAKER

Ceiling-mounted speaker with white metal cover (RAL 9010). Possible to have another RAL colour option.

A compact solution treated against humidity for residential and professional use with good sound quality.

* Bower & Wilkins speakers available as an option



Non contractual image

DC 12V POWER SUPPLY:

Length (mm)	105
Width (mm)	40
Height (mm)	30

Installation Instructions

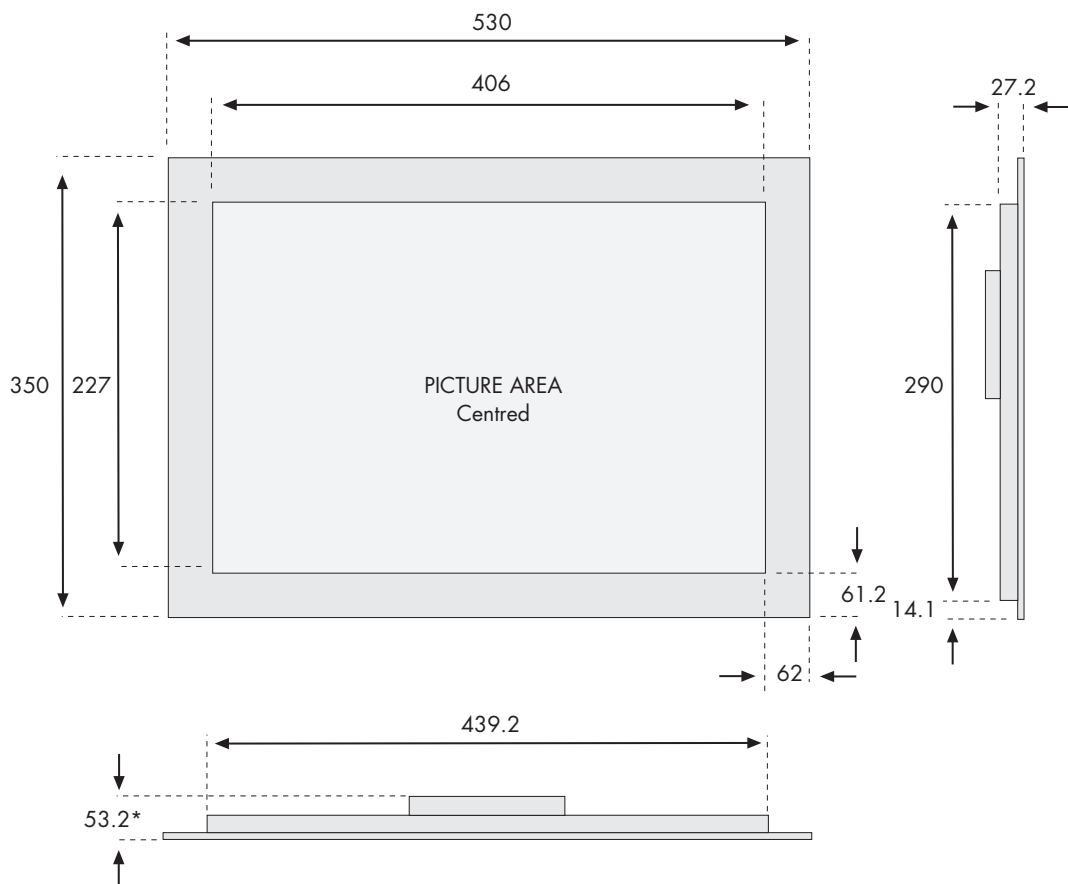
To install a television screen, you must first position the back box on the wall and mount it with the assembly kit provided.

The back box can be mounted with 2 solutions :

- using the lugs positioned of both sides on the box
- using the four holes at the bottom of the box

Once the wall back box is correctly installed, the whole screen sits on the box and is held in place by a magnetic system.

To obtain an IP65 protection rating for the front side, apply a silicon seal around the screen, thus ensuring the wall is also correctly protected.

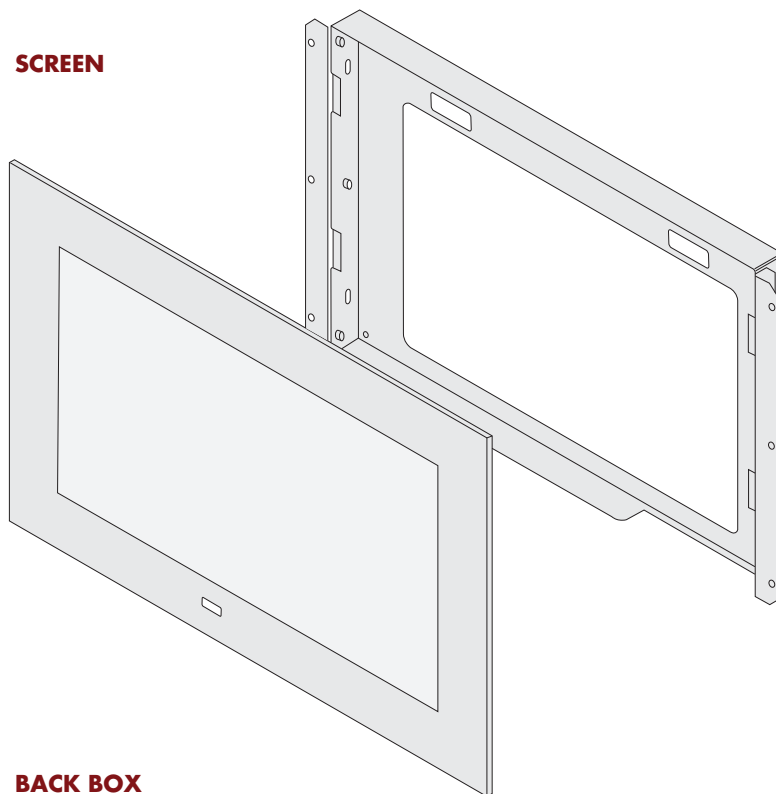


* For Super Clear and Premium glass finishes add 3mm

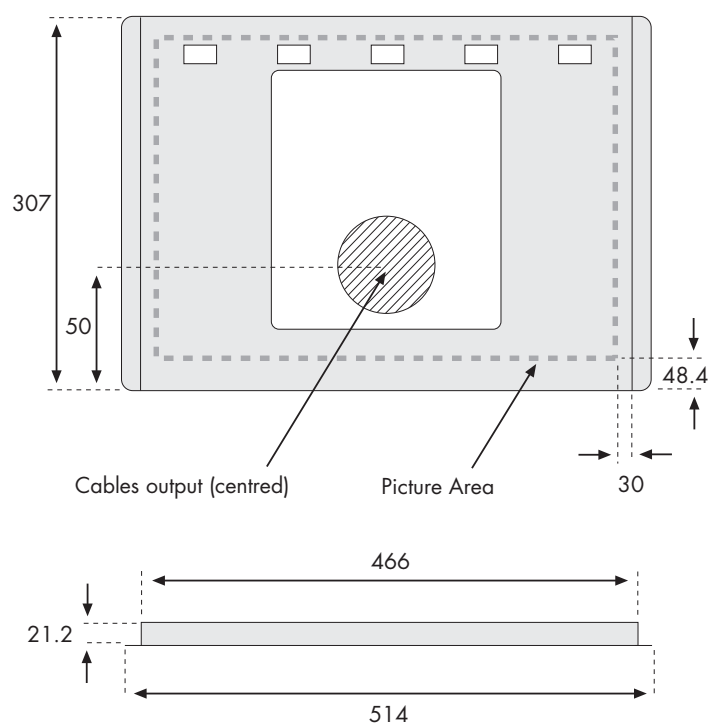
All dimensions have a tolerance of +/- 1mm

Installation Instructions

SCREEN

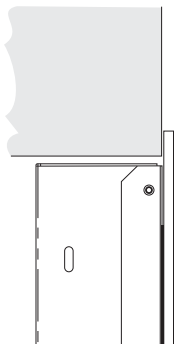


BACK BOX



All dimensions have a tolerance of +/- 1 mm

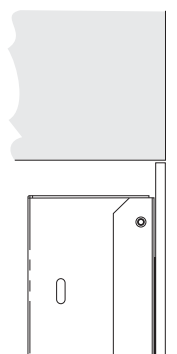
Installation Instructions



SURFACE INSTALLATION

Wall section to cut out :

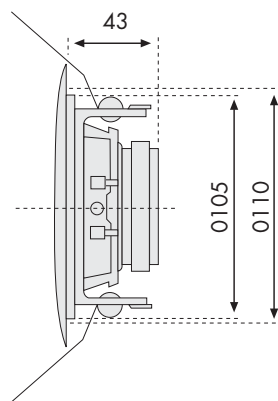
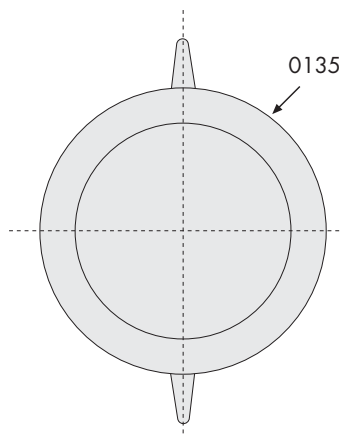
Width (mm)	470
Height (mm)	309
Minimum depth (mm)	50



FLUSH INSTALLATION

Wall section to cut out :

Width (mm)	534
Height (mm)	354
Depth (mm): 6mm glass	56
9mm Premium glass	59

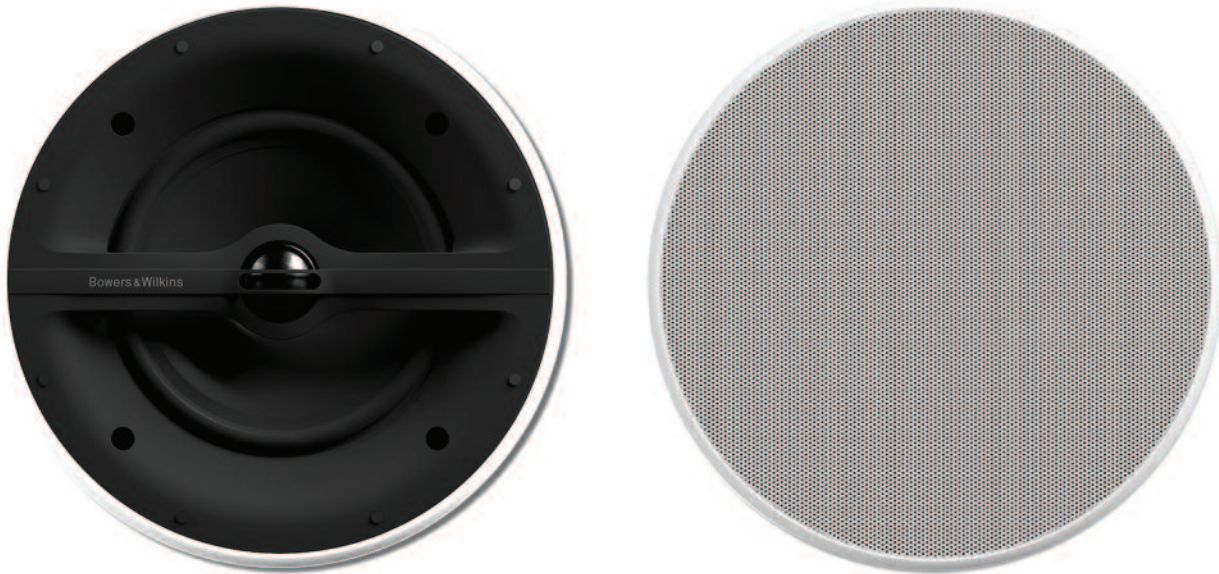


LOUD SPEAKER INSTALLATION

Wall section to cut out :

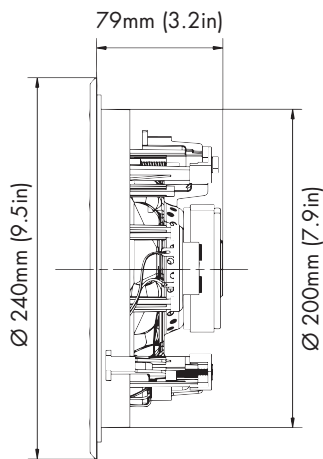
Hole diameter (mm)	110
Minimum depth (mm)	45

Speaker Option



B&W
Bowers & Wilkins

BOWERS & WILKINS IN-CEILING SPEAKERS

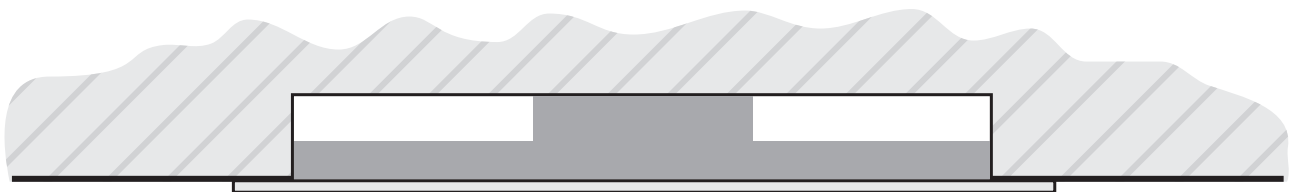


CCM362 TECHNICAL SPECIFICATIONS

Description	2-way in ceiling system
Drive Units	1 x 160mm (6in) Polypropylene cone base/midrange
Minimum depth (mm)	1 x 25mm (1in) soft dome tweeter
Frequency Range (-6dB)	45Hz - 30kHz
Sensitivity Range (2.83V, 1m)	90dB
Impedance Nominal (min)	8Ω (5.0Ω)
Power Handling	80W
Pre-mount Kit	PMK C8
Back Box	BB 6C

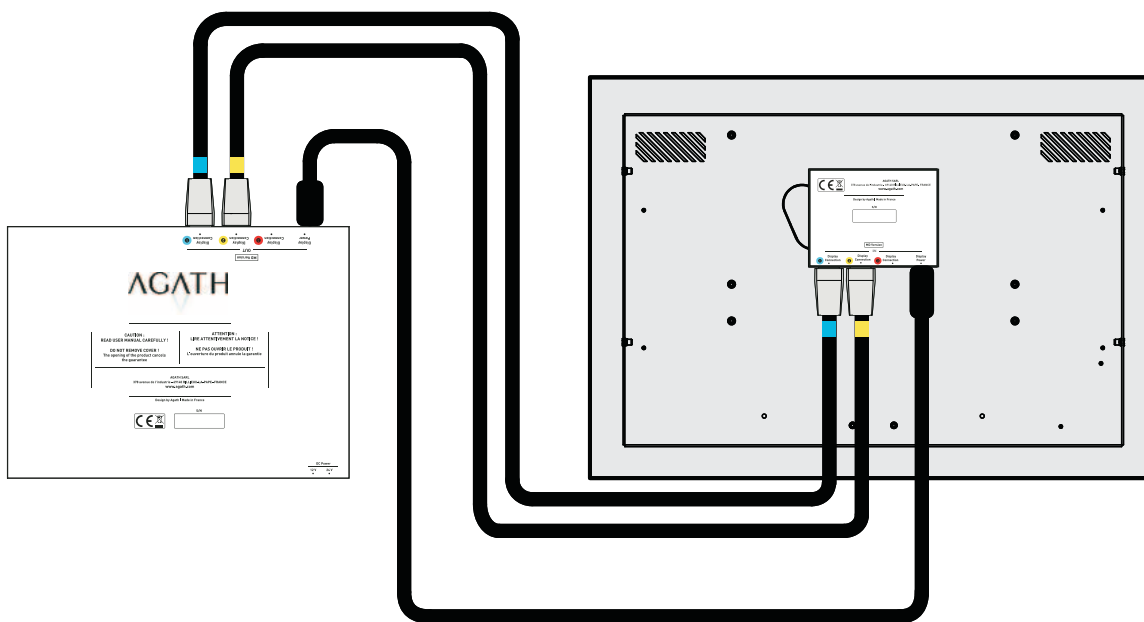
Options: S.E.M. (Split Electronic Module)

MD2 IN-WALL TELEVISIONS



Electronic module Top View

MD2 **18**



Sizes: 14" - 18" comes with 1 module, 2 screen data cables and 1 power cable.