
AGATH

T1 19

1080p

IP65

Technical Datasheet

In wall TV for Bathroom



- Designed for bathroom
 - Mirror or contrast finish
 - Can be built into walls with a fixing through the glass
 - Unique design, single size
 - Television sets complied with the harmony and ambience
 - Pair of speakers moisture resistant
 - Waterproof Remote
 - Cage fireproof
-

List of Standard Models

CONTENTS

Television set	1
Waterproof remote control	1
2 water resistant in-wall speakers	1
12V adaptor with 4 meters cable	1
5 meters audio cable	1
Composite audio/video jack cable	1
YUV jack cable	1

INCLUDED FUNCTIONS

RS232 control

- Control of the main television's functions

Infra-Red relay 38 KHz

- Control of devices deported through the TV
- Can be connected to a flasher at the rear of the TV

Distinct ON/OFF signals (IR)

- 2 distinct signals to switch on and switch off the TV

DISPLAY

Screen size	18,5" (47 cm)
Display area (H/V) (mm)	406 x 227
Aspect ratio	16:9
Resolution (pixels)	1366 x 768

SPECIFICATIONS

Glass width (mm)	560
Glass height (mm)	330
Total depth (mm)	59
Weight with back box	6 kg
Power supply	DC 12V

PACKING

Parcel	1
Length (mm)	800
Width (mm)	400
Height (mm)	620
Weight	13kg

GLASS FINISHES Glasses available



Bluish Mirror



Contrast

Ports and connections : AGATH Media Modules

ME 6328

THE COMPLETE SOLUTION

The ME6328 Media Module offers a multitude of ports and connections allowing you to connect easily your regular devices.

➔ See full description on the ME6328 datasheet



DVB-T/T2
DVB-C



3 HDMI



RS232
CONTROL



IP TV
COMPATIBLE



SPEAKER

Ceiling-mounted speaker with white metal covert (RAL 9010)

A compact solution treated against moisture for home and professional use with good sound quality.



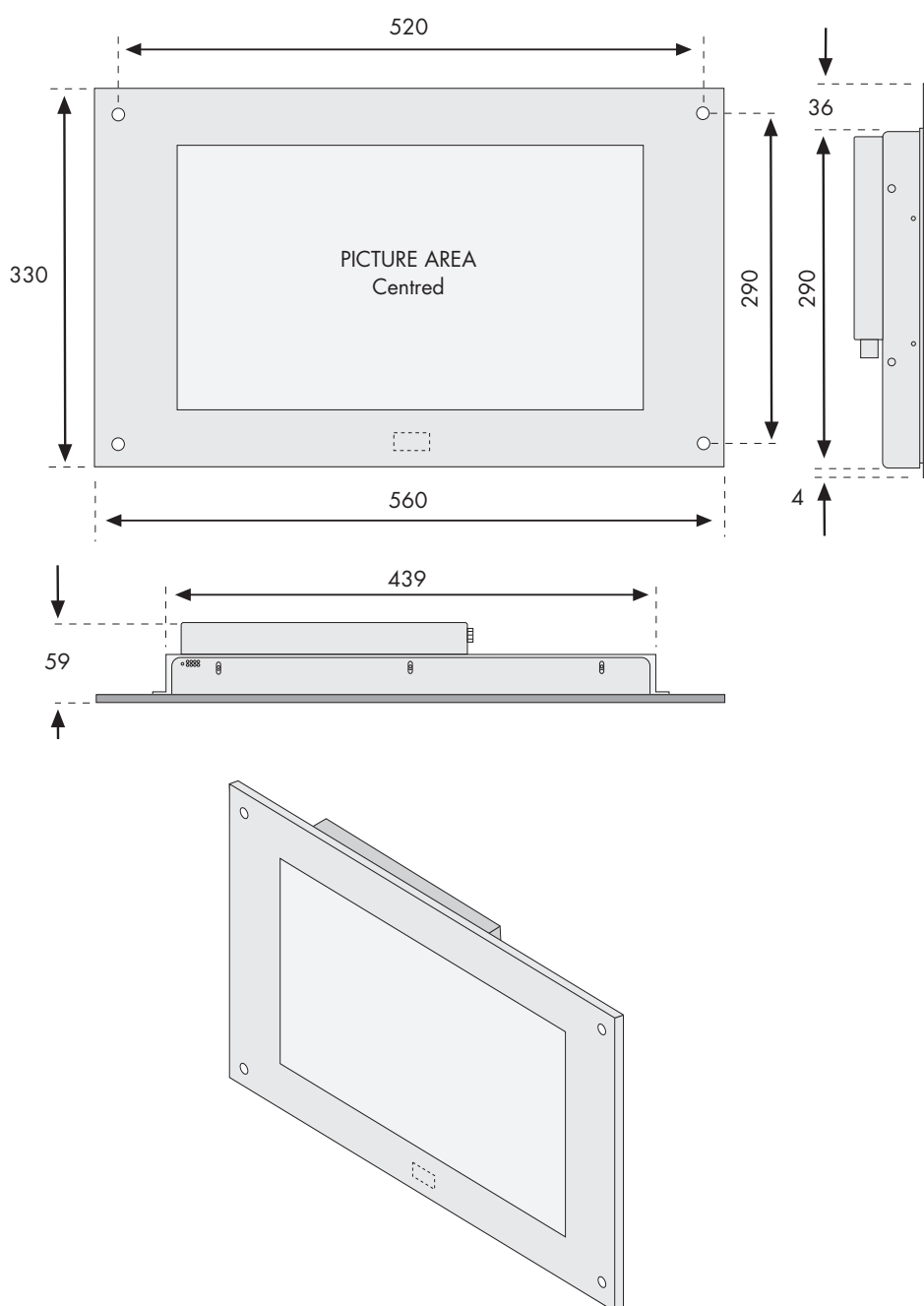
DC 12V POWER SUPPLY:

Length (mm)	105
Width (mm)	40
Height (mm)	30

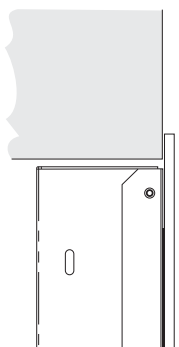
Installation Instructions

To install a television, you must first provide the wall space within the dimensions shown below in order to embed the TV by using the four screws provided.

To obtain an IP65 protection rating for the front side, apply a silicon seal around the screen, thus ensuring the wall is also correctly protected.



Installation Instructions



SURFACE INSTALLATION

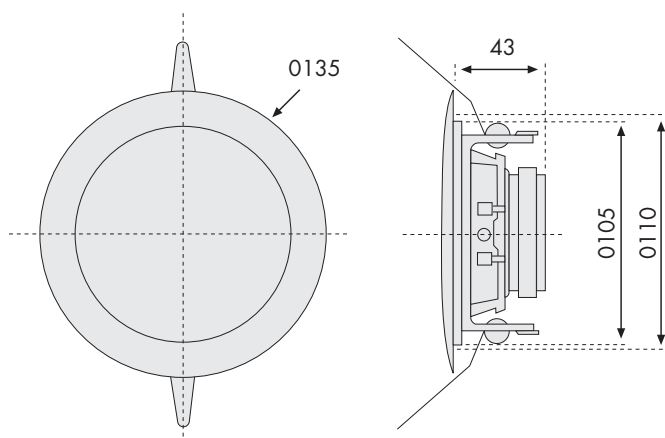
In this configuration, the glass panel will cover the wall cut-out.

Wall section to cut out :

Width (mm)	464
Height (mm)	294
Minimum depth (mm)	53

Screw:

Diameter (mm)	44
---------------	----



LOUD SPEAKER INSTALLATION

In this configuration, the glass panel will cover the wall cut-out.

Wall section to cut out :

Hole diameter (mm)	110
Minimum depth (mm)	45