



TAM 2 L

True Aspect Masking Projection Screen

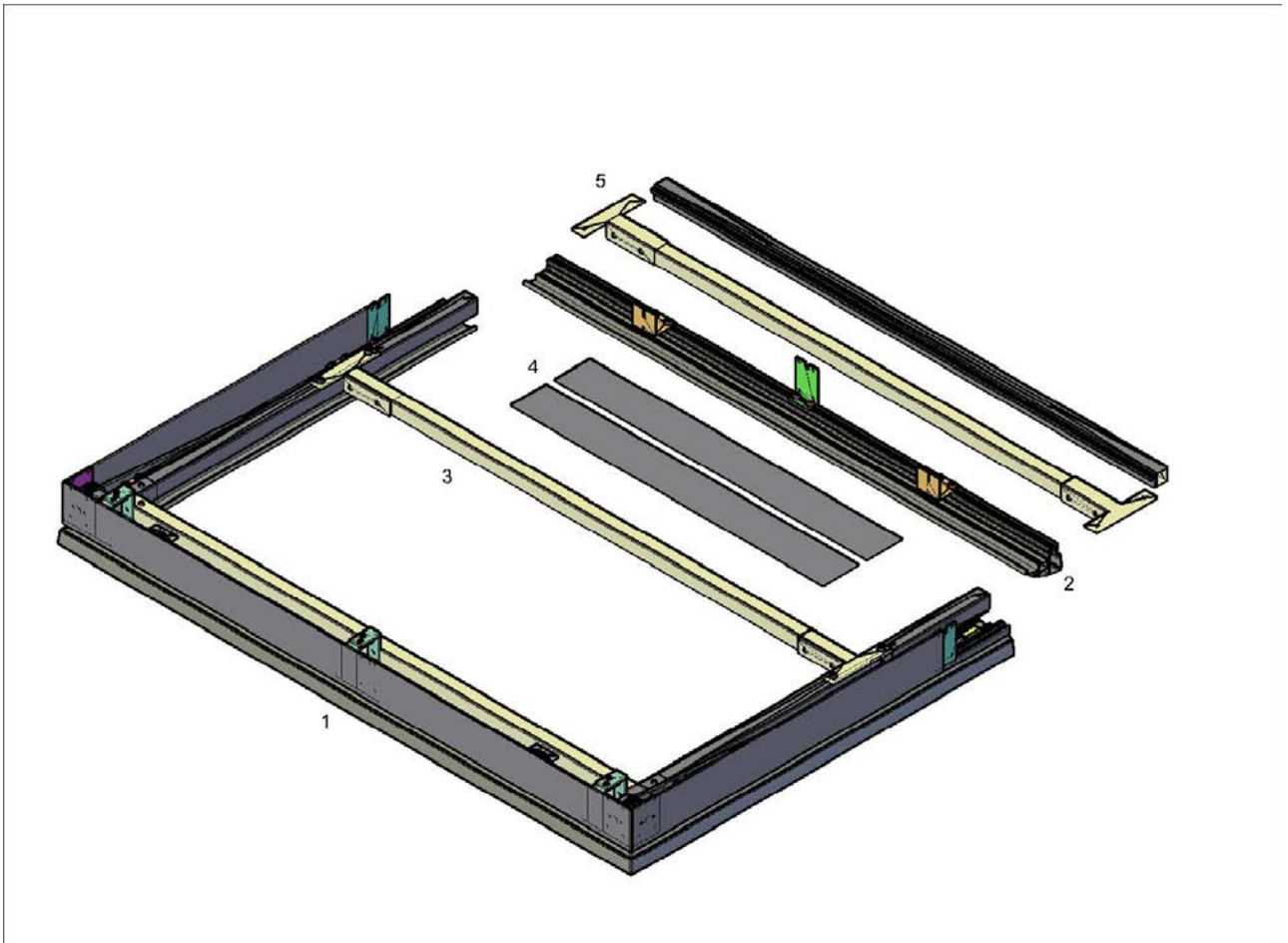
ASSEMBLY INSTRUCTIONS

Caution: preliminary notice

Assembling this screen and installing it requires some professional know how. You will need 2 persons, as the screen is too heavy and bulky to be handled by a single person. You will need to be able to evaluate a totally safe way to fix the provided brackets to the wall where it is to be installed, and to provide it. It can be rubber, steel or plastic wall plugs, or hollow wall anchors.

Additionally the very large masking screens should be placed on a platform or a shelf and secured to the wall accordingly

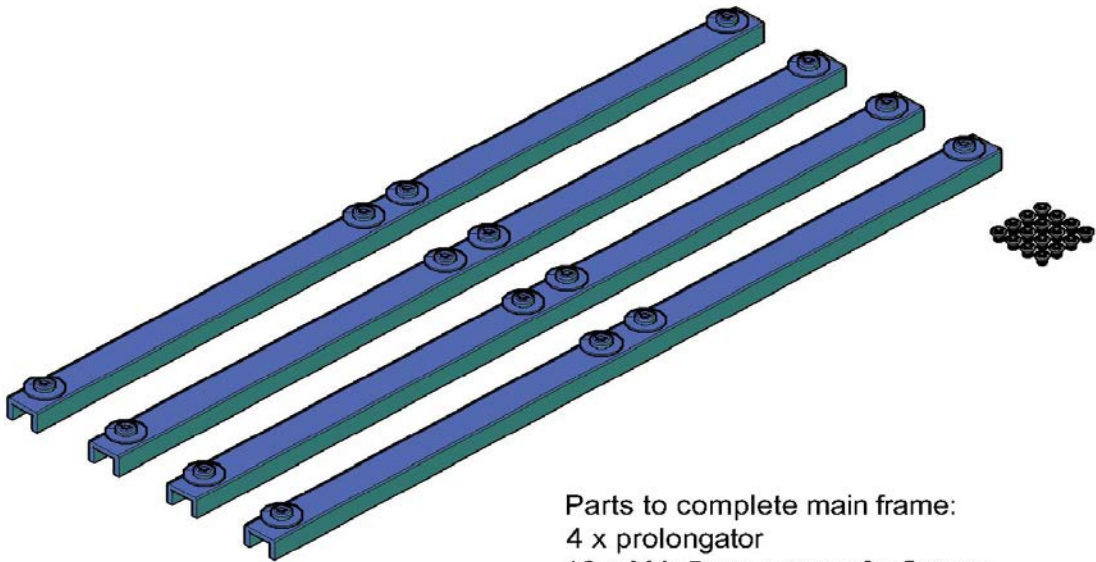
1. Make sure there are two of you. One single person cannot handle the whole installation.
2. Clear a sufficient space, sufficiently larger than the external dimensions of the screen to allow moving around it.
3. Open the crates and take all the components and sub-assemblies out, then remove the crates
4. Check parts:



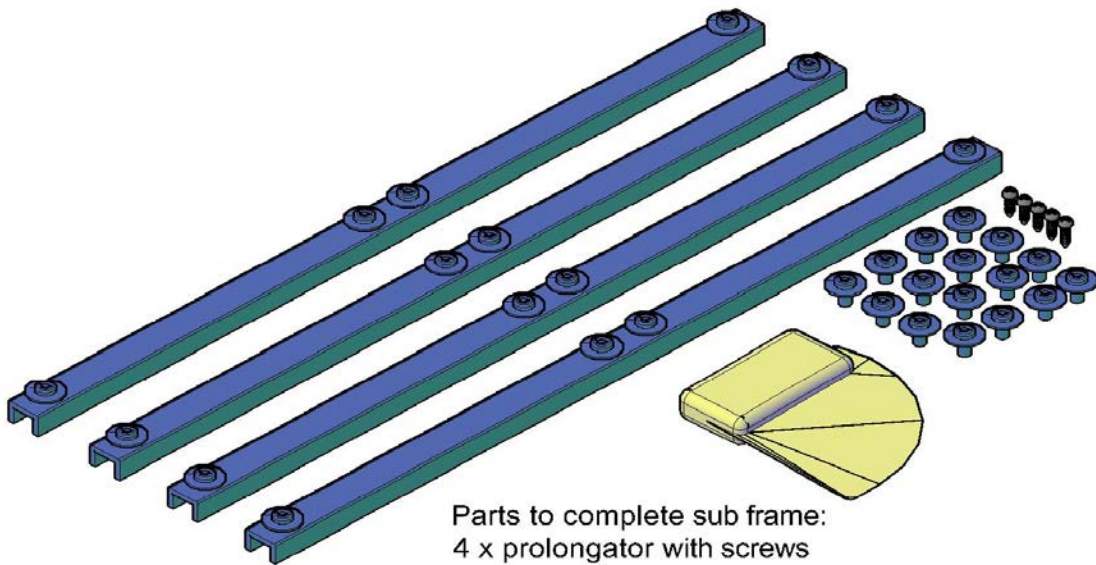
Each crate contains:

1. Mechanical section of screen main frame (left/right)
2. Middle section of screen main frame (top/bottom)
3. Preassembled section of sub frame (left/right)
4. 2 flanges – if they are required
5. Parts of subframe – middle part and stiffening.

Also, you will find: prolongators for main frame and sub frame, projection fabric, black backing, spatula, protective plastic sheet, gloves, screws, allen key, strips of velvet to finish sub frame edgings.

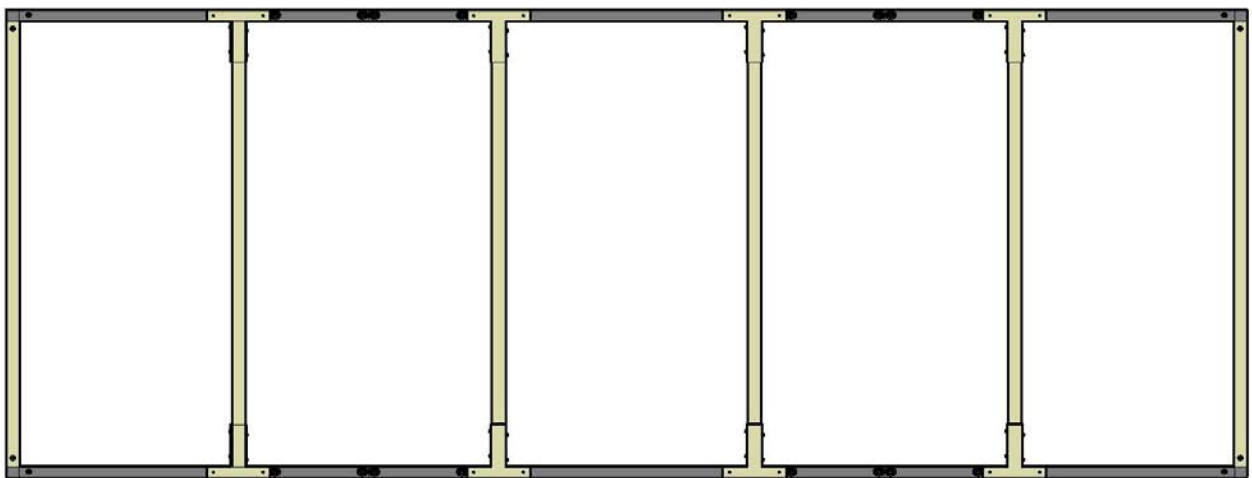
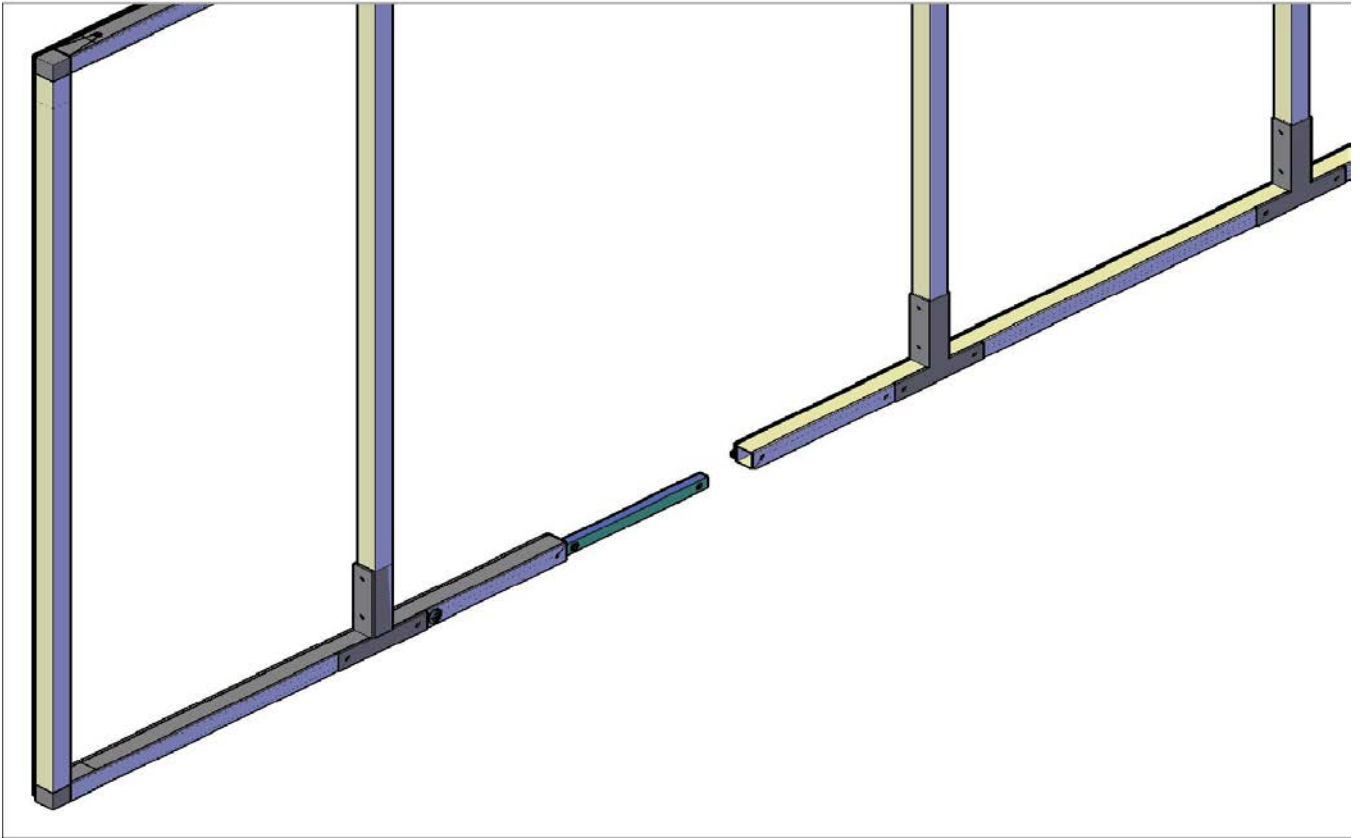


Parts to complete main frame:
4 x prolongator
16 x M4x5mm screws for flanges
1 x 4mm allen key
screwdriver



Parts to complete sub frame:
4 x prolongator with screws
16 x M6x12mm screws for stiffenings
1 x 4mm allen key
5 x M4x20mm selfdrill screws
screwdriver
spatula for fabric instalation
dust sheet
projection fabric and black backing

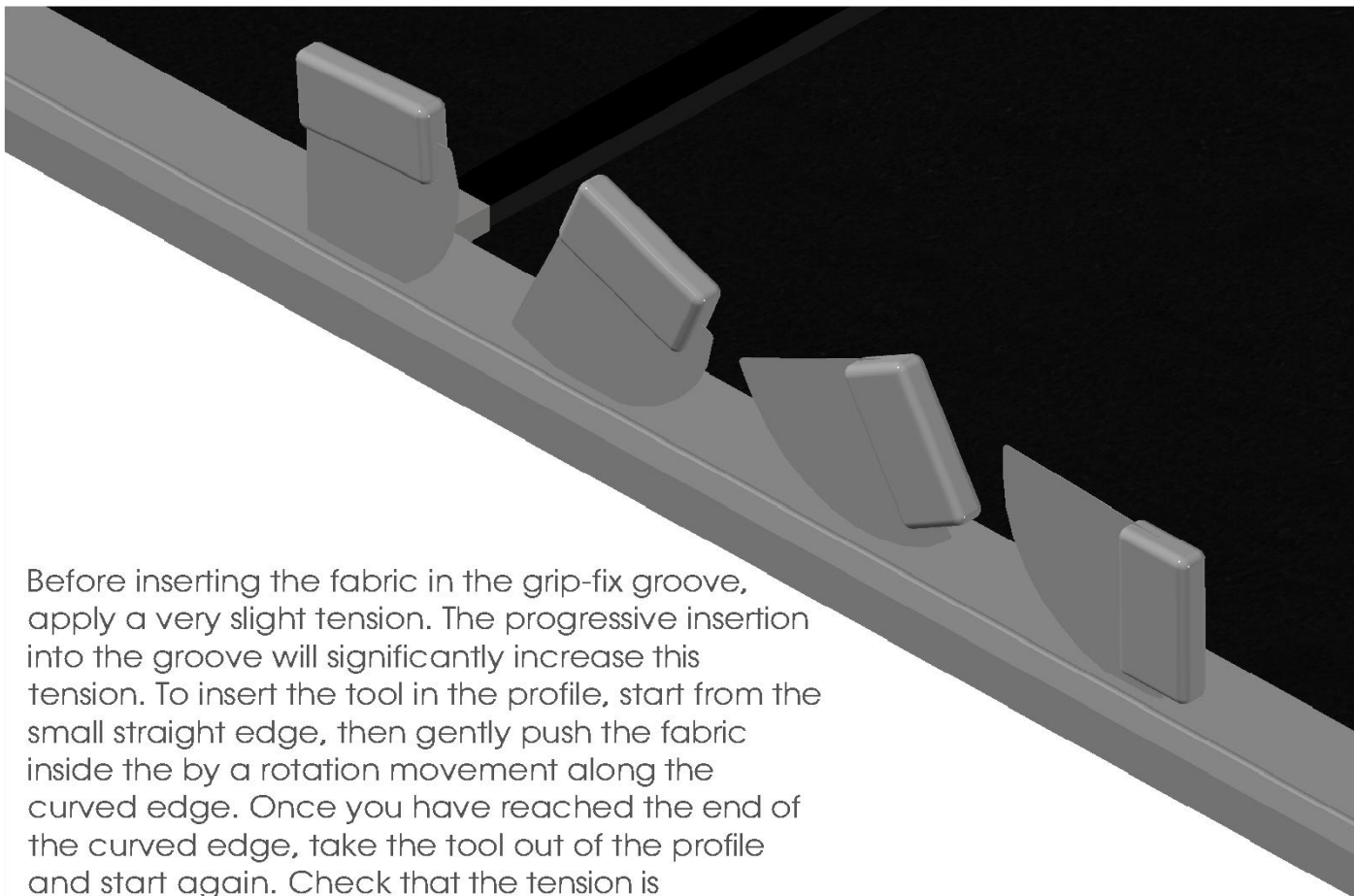
- Start by assembling the subframe (match colour tags). Be careful to check the square angles and put extra self-drilling screws if you notice that corners are not tight enough.
- Slide prolongators into frame channels
- Install stiffening bars – preassembled parts will help you to understand assembling process



Sub frame is ready to fitt fabrics.

Install the black backing fabric

Place the frame on the protective sheet; unfold the black backing fabric. Insert the fabric into the groove of the Gripfix profile with the provided spatula. Start by the middle of the four sides (the large sides first), and then progress towards the corners.



Before inserting the fabric in the grip-fix groove, apply a very slight tension. The progressive insertion into the groove will significantly increase this tension. To insert the tool in the profile, start from the small straight edge, then gently push the fabric inside the by a rotation movement along the curved edge. Once you have reached the end of the curved edge, take the tool out of the profile and start again. Check that the tension is sufficiently uniform to avoid uneven bending of the screen frame.

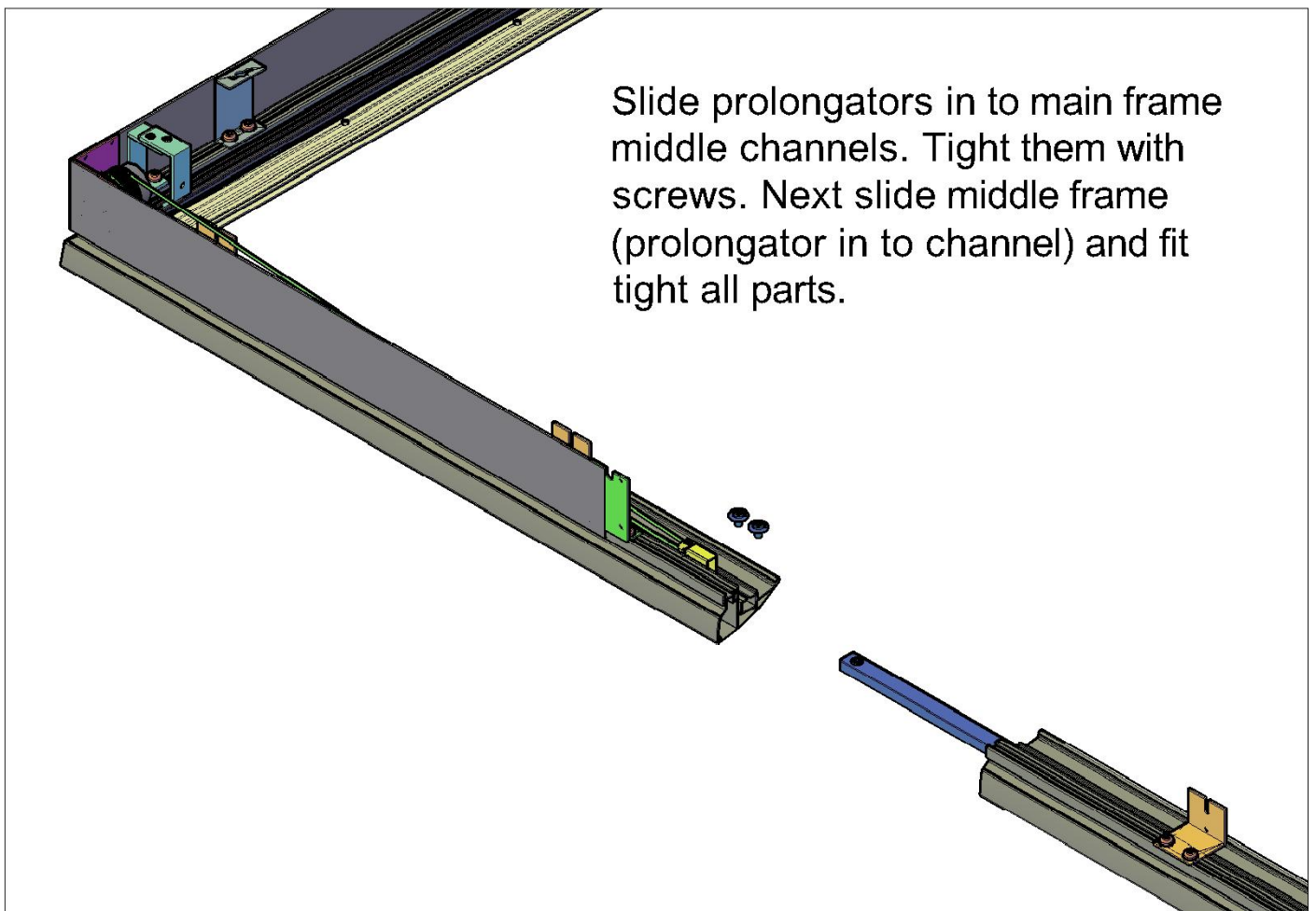
Install the Enlightor fabric by repeating these instructions

Cut excess, leaving an edge margin of ½", fold fabric and using provided velvet finish sub frame edgings.

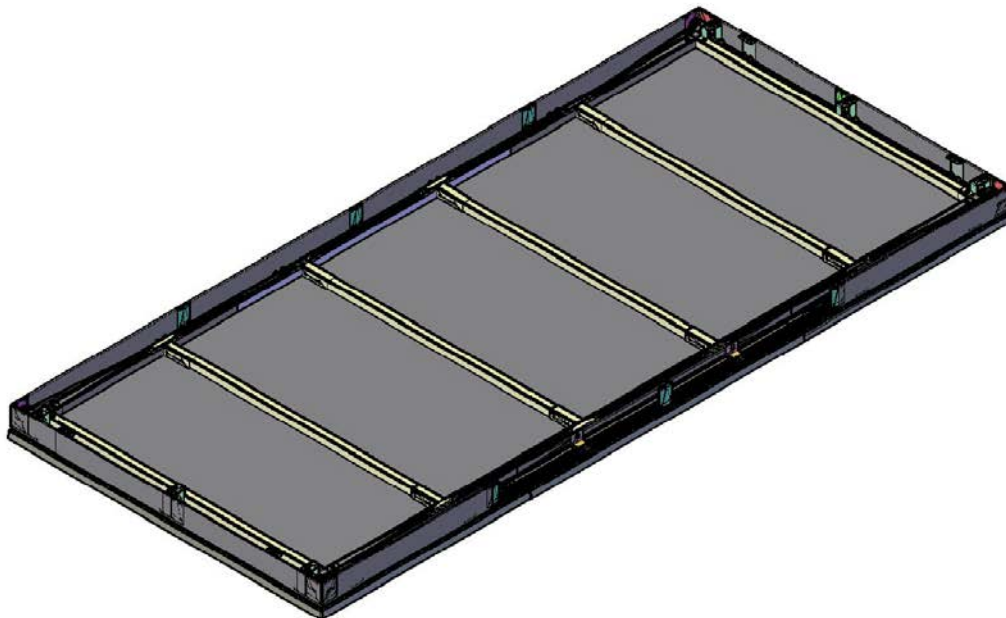
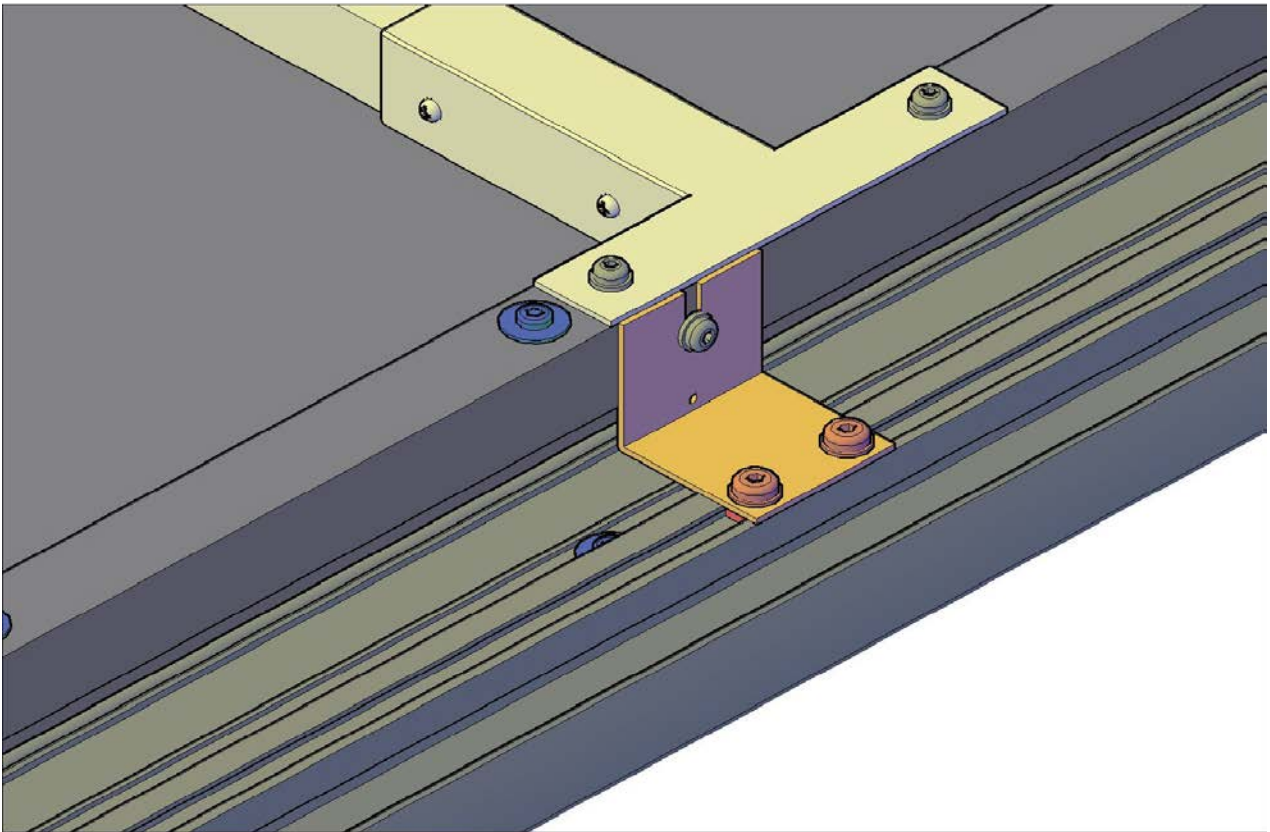


Remove subframe from working area

Start assembling main frame (match colour tags).



Once the mainframe is assembled, lay it flat. Place sub frame on top of main frame. Screws which are fixed to sub frame should slide in to groove in sub frame brackets.



Install remaining flanges (if required) on top and bottom of screen.



- Determine the position of the wall screws (size ¼”). Refer to drawing. Install 4 wall screws at the correct distance, leaving the screw heads protruding by about ½”.
 - As option you can order screen with top and bottom brackets. In this case you will receive 4 wall “Z” brackets. Refer to drawing position of them brackets.
 - Lift screen and test the different positions. Screen can be order in few options. RS232 – commands are sent true computer or any devices using RS232 protocol (you can program up to 99 positions). Connexoon – simple movement OPEN/CLOSE and one middle position provided by wireless system and iOS/Android app (ask for more information before you decide to use connexoon). RTS – radio control system – OPEN/CLOSE and one “My” position.
- 1 Connect the 2 motors to the corresponding XLR 3 pins type connectors on the connection box CB1 – if you use RS232 control system – or to the power box if you are using RTS/connexoon system
 - 2 RS232: connect the connection box to the CB2 control unit with the provided 6 pin connectors, and connect the CB2 to mains
 - 3 Operate the motors to check the stops adjustments using remote – for RTS/connexoon or “open” and “close” command from RS232 devices you use (go to programming guide if need any help)
 - 4 Check carefully in the “open” position that when the leading edge of the mask is at rest, the **motor is off** (put your hand on the roller and check that it’s not vibrating or heating).
 - 5 If the motor is still on, it means that the stop adjustment has been lost during transport. In that case, you will have to readjust mechanically the stop to have the mask leading edge exactly aligned with the edge of the main frame profile. You can adjust the stops with a Hex key (provided) at the motor head.
 - 6 Check carefully in the “close” position that the leading edge defines exactly an aspect ratio of 1.33
 - 7 Repeat this checks for both motors
 - 8 Use programming guide if you need to make some changes – not recommended

Once the masks movements are satisfying, you are ready to hang the whole screen.