



User Manual



Raijuu

The Raijuu loudspeakers are subwoofers operating from 20 Hz to 100 Hz. They are to be coupled to limited-range loudspeakers via an active DSP crossover.

Please refer to Congard Code for the correct placement of your Raijuu Bass speaker to achieve a realistic sound stage to compliment any film material in your cinema

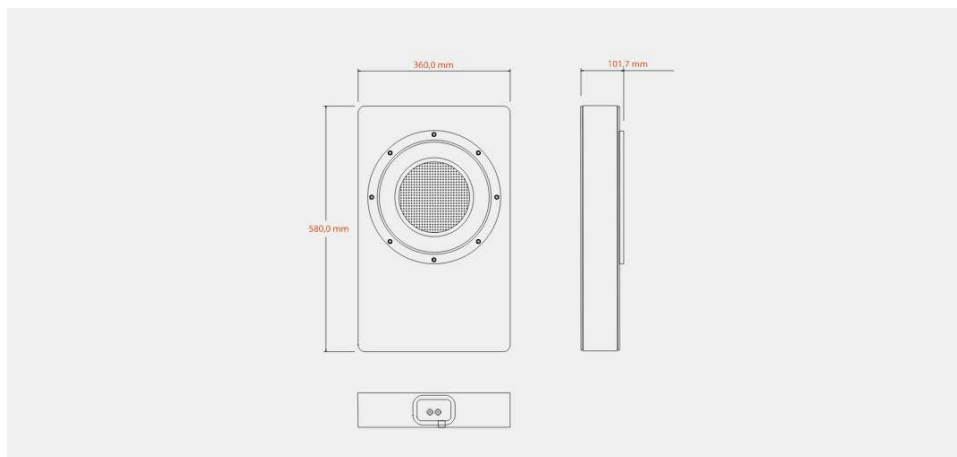
<http://audioexcellence.one/congardcode.html>



Raijuu 1

The Raijuu 1 is a very small compact subwoofer designed to be shallow enough to fit in a drywall. It is a closed-box design operating below its resonance frequency, hence providing a band-pass response defined by a 2nd order low-pass function provided by a DSP unit.

1. Dimensions: 580 x 360 x 102 mm
2. Weight: 20 kg
3. Connector: Pair of binding posts
4. Drive unit: 1 x 12" ultra-flat high power driver
5. Frequency response: Fc-100 Hz
6. Impedance: 8 Ω
7. Power handling: 400 W
8. Max.SPL@1m@40Hz: 104dB
9. Max.SPL@1m@20Hz: 91dB
10. Option 1: In-wall adaptation kit





Connections

Close up detailing the signal binding post pair ready to receive the signal from the amplifier output channel. The binding post with the **red** trace would be the positive connection and **black** the negative connection.



Rubber feet are supplied to help isolate the speaker from any hard surfaces when it is located on the floor.

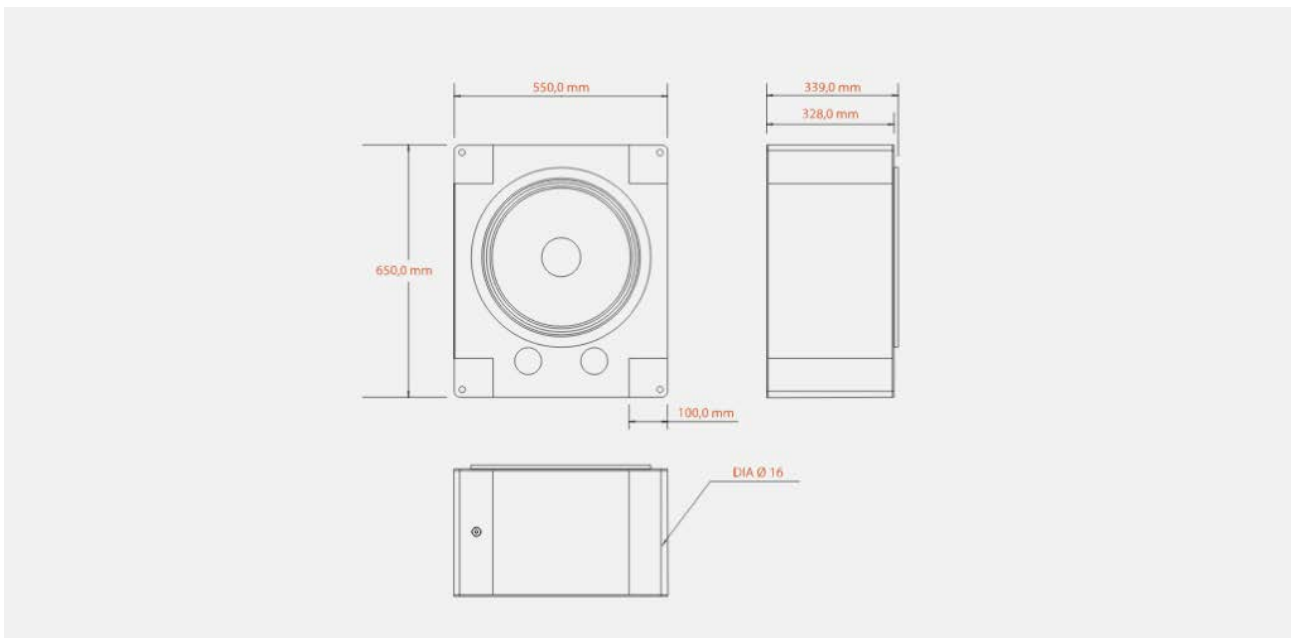




Raijuu 2

The Raijuu 2 is a compact subwoofer designed to provide the maximum impact and SPL for an ultimate playback of the LFE channel. It is a vented design.

1. Dimensions: 650 x 550 x 339 mm
2. Weight: 40 kg
3. Connector: Speakon 2
4. Drive unit: 1 x 18" high power driver
5. Frequency response: 20-100 Hz
6. Impedance: 8 Ω
7. Power handling: 1400 W
8. Max.SPL@1m@40Hz: 120dB
9. Max.SPL@1m@20Hz: 110dB





Connections

Speakon 2 NL2MP signal input.

The signal input can be found at lower right-hand side.



Input Signal is connected to the driver via a NL2FX Speakon 2 plug, Same is used to connect the lead to the amplifier output channel.



This Wiring connections to rear of the NL2FX signal plug:

1+ Positive (**red**) and 1- Negative (**black**)

